



SJ63 AJ

ARTICULATING BOOM

STANDARD FEATURES

- Axle based 4WD system
- Operator controlled locking rear differential and limited slip front differential
- Oscillating axle
- Drivable at full height
- Straight boom functionality
- 360° continuous turret rotation
- 45% Gradeability
- 65 HP Deutz diesel engine
- Swing out engine tray
- Swing up cowlings
- Modular platform railing system
- Tri-entry sliding mid-rail
- Wiring for AC outlet to platform
- Direction sensing drive and steer controls
- Proportional controls
- Relay based control system
- Colour coded and numbered wiring
- Hourmeter
- Overload sensing system
- Operator horn
- Flashing light
- All motion alarm
- Load sensing system
- Tie down/lifting lugs
- Wet disc SAHR brakes (front and rear axle)
- Grip lug foam-filled tyres

ACCESSORIES AND OPTIONS

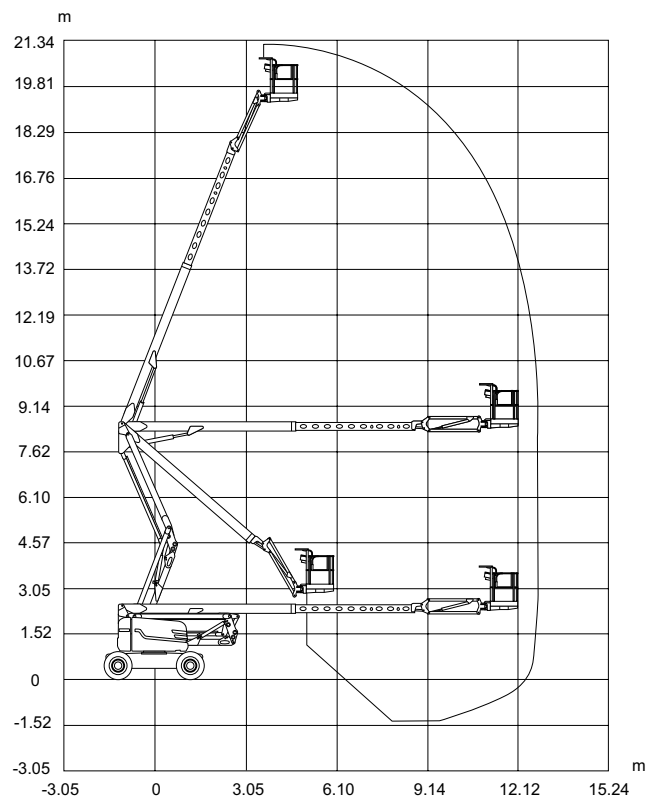
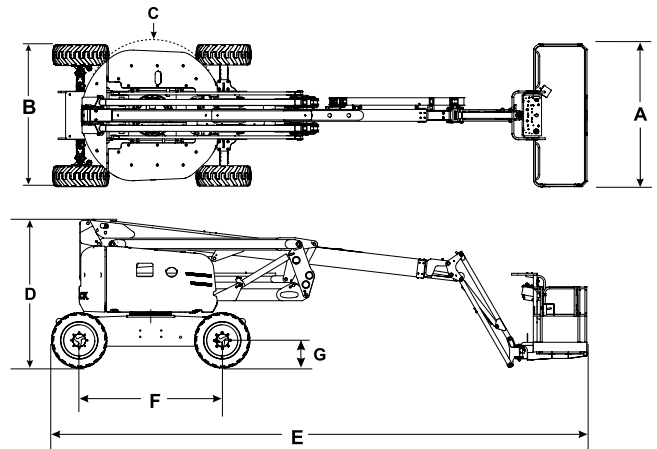
- 0.91 x 1.83 m Platform
- Airline to platform
- Diesel scrubber
- Hydraulic oil cooler
- Hostile environment package (includes cylinder bellows, boom wipers, covers for the fly boom cutouts, and control box cover.)
- Auxiliary top rail (0.91 x 2.44 m platform only)
- Control box cover
- Pipe rack
- Rear Gate
- Secondary guarding (electrical or mechanical)
- Non marking foam filled tyres

* Capacities, and machine weights may differ when options are added

SJ63 AJ ARTICULATING BOOM LIFT

Dimensions	SJ63 AJ
Work Height	21.38 m
Platform Height	19.38 m
Horizontal Reach	12.19 m
Up and Over Height	8.38 m
A Platform Size	0.91 x 2.44 m
B Stowed Width	2.44 m
C Tailswing	Zero
D Stowed Height	2.54 m
E Stowed Length	9.14 m
F Wheelbase	2.44 m
G Ground Clearance	0.33 m

Specifications	SJ63 AJ
Rotation	360°
Platform Rotation	170°
Jib Length	1.68 m
Jib Range +/-	+65° / -60°
Weight*	9,979 kg
Gradeability	45%
Turning Radius (Inside)	2.21 m
Turning Radius (Outside)	5.31 m
Axle Oscillation	10.16 cm
Drive Speed (High speed)	7.3 km/h
Capacity*	227 kg
Local Floor Load (With Rated Load)	793 kPa
Overall Floor Load (With Rated Load)	12 kPa
Maximum # of Persons	2
Tyre Type	Grip lug foam-filled
Diesel Engine	65 HP
Fuel Tank Capacity	115 L
Hydraulic Reservoir	115 L



SJ63 AJ Work Height

Skyjack Australia Pty Ltd
 4 Coates Place
 Wetherill Park
 New South Wales, 2164
 Tel: +61 (0) 2878 63200
 Fax: +61 (0) 2878 63222
 Email: jcranmer@skyjack.com

www.skyjack.com

This brochure is for illustrative purpose only and based on the latest information at the time of printing. Skyjack Inc. reserves the right to make changes at any time, without notice, to specifications, standard and optional equipment. Consult the Operating Maintenance and Parts Manuals for proper procedures. AS marked platforms are in conformance to Standard AS/NZS 1418.10:2011.